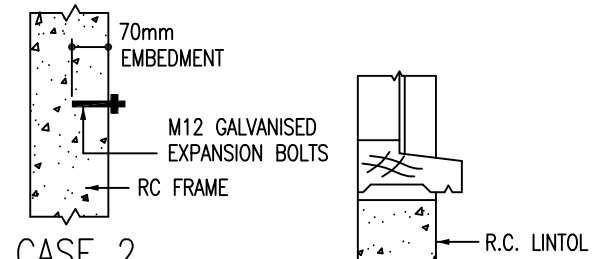
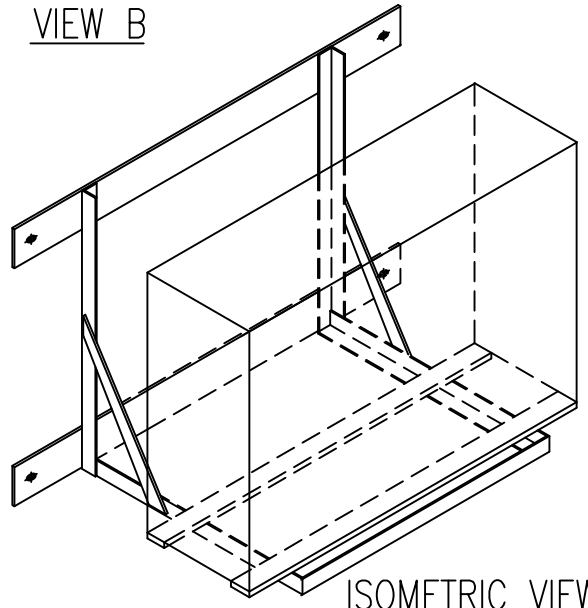


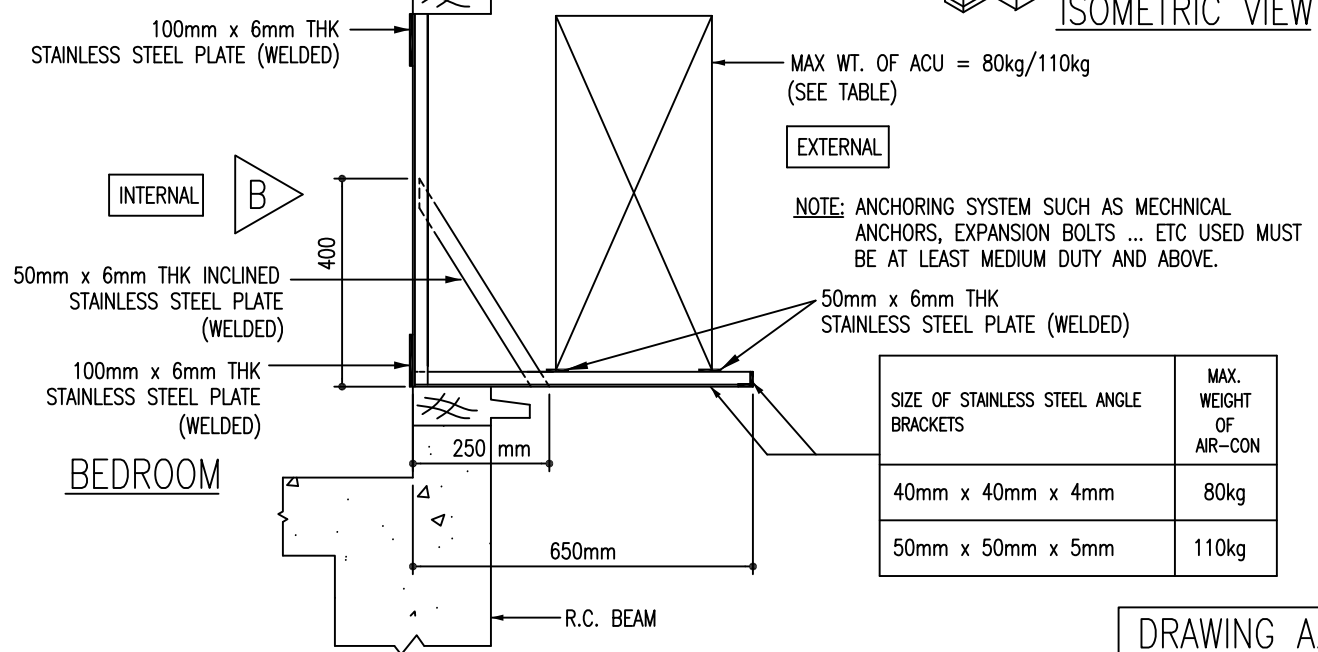
**CASE 1**



**CASE 2  
DETAIL A**



**ISOMETRIC VIEW**



SIZE OF STAINLESS STEEL ANGLE BRACKETS	MAX. WEIGHT OF AIR-CON
40mm x 40mm x 4mm	80kg
50mm x 50mm x 5mm	110kg

**DRAWING A2**

**DRAWING TITLE**  
 DETAIL OF ANGLE SUPPORT FOR AIR CONDENSING UNIT AT AIR-CON OPENING IN THE MASTER BEDROOM (DRAWING A2)

**COPYRIGHT RESERVED**

1. Measurements shown in or taken from this drawing are to be verified on site.
2. No part of this drawing shall be duplicated or distributed without written consent from HDB.
3. This drawing is served as a guide only.

PLAN NO:	SED 006D
PLAN NAME:	STD ACU MA2
DATE:	AUG 2004