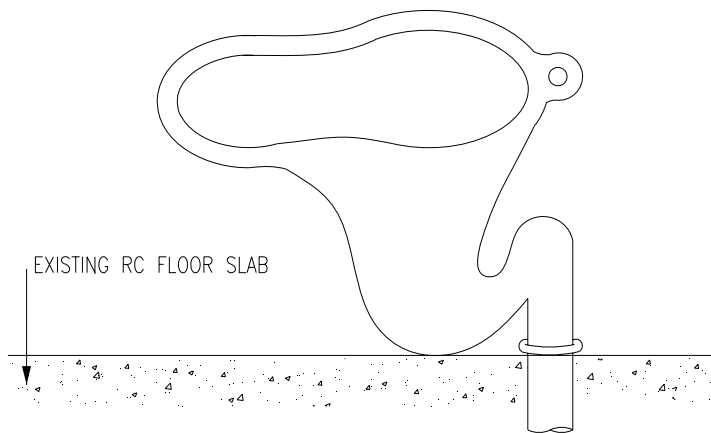


CONVERSION OF PEDESTAL PAN TO SQUAT PAN



SKETCH DRAWING 6

DRAWING TITLE

CONVERSION OF PEDESTAL PAN TO SQUAT PAN

COPYRIGHT RESERVED

1. Measurements shown in or taken from this drawing are to be verified on site.
2. No part of this drawing shall be duplicated or distributed without written consent from HDB.
3. This drawing is served as a guide only.

PLAN NO: SED 033B

PLAN NAME: STD CONV PL  
PL PAN

DATE: JUL 2004