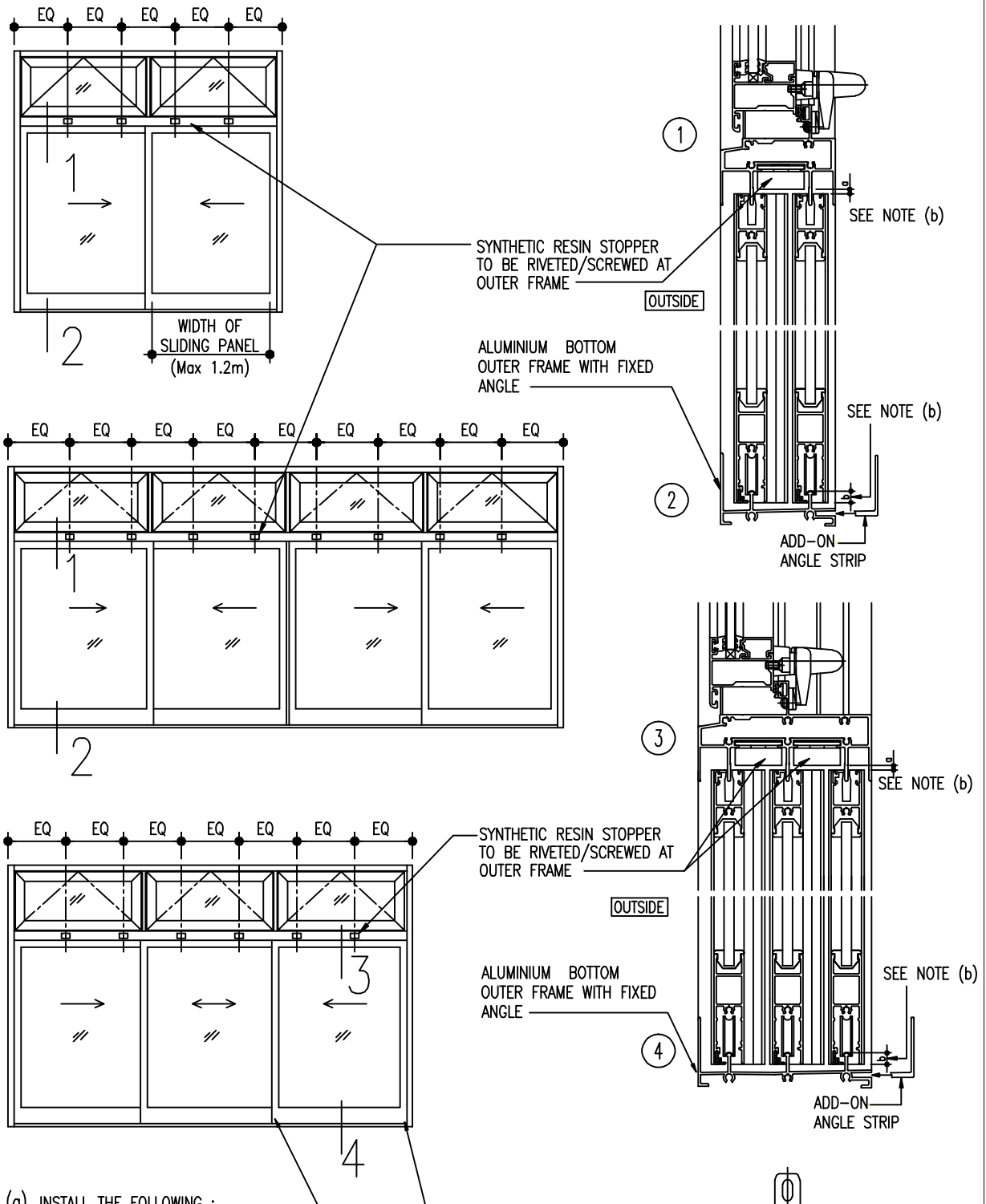


SAFETY REQUIREMENTS FOR INSTALLATION OF NEW ALUMINIUM SLIDING WINDOWS



NOTE: (a) INSTALL THE FOLLOWING :

- (i) POLYETHELENE SLIDING WINDOW SELF-LOCKING SAFETY DEVICE (2 NOS. PER PANEL)
- (ii) SYNTHETIC RESIN STOPPER TO BE RIVETED/SCREWED AT TOP OF WINDOW OUTER FRAME (MINIMUM 2 NOS. PER PANEL WIDTH AND REPEAT THE SAME ALONG THE TRACK)
- (iii) ALUMINIUM BOTTOM OUTER FRAME WITH FIXED ANGLE FACING OUTSIDE

(b) DIMENSION b SHALL BE MINIMUM 1.5 TIMES DIMENSION a

