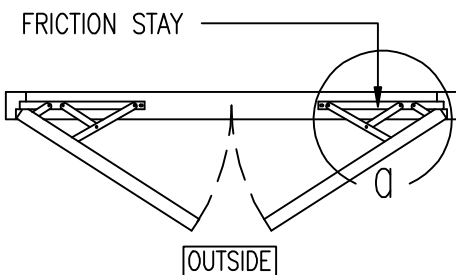
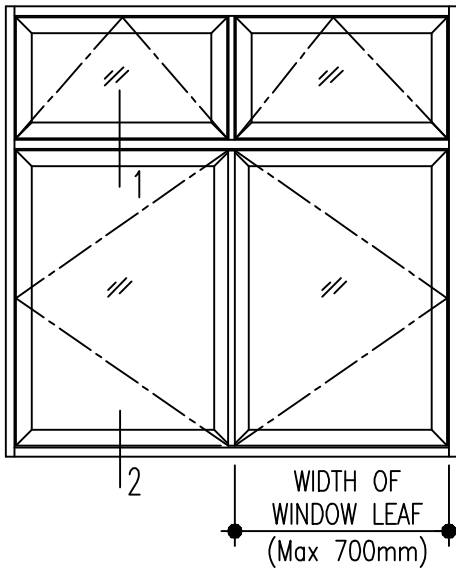
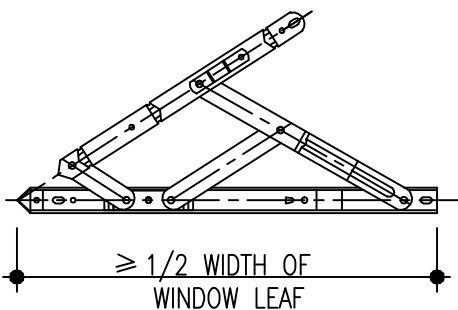


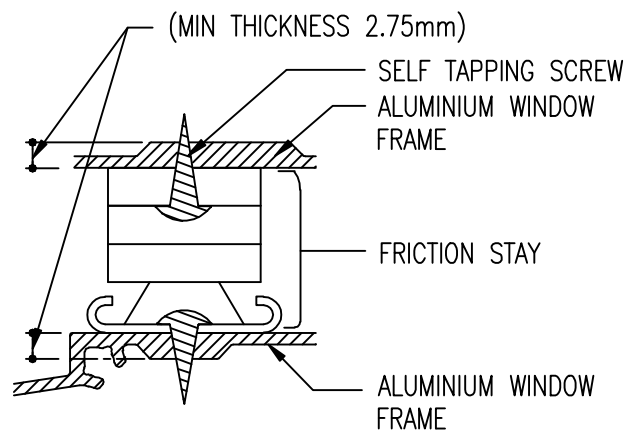
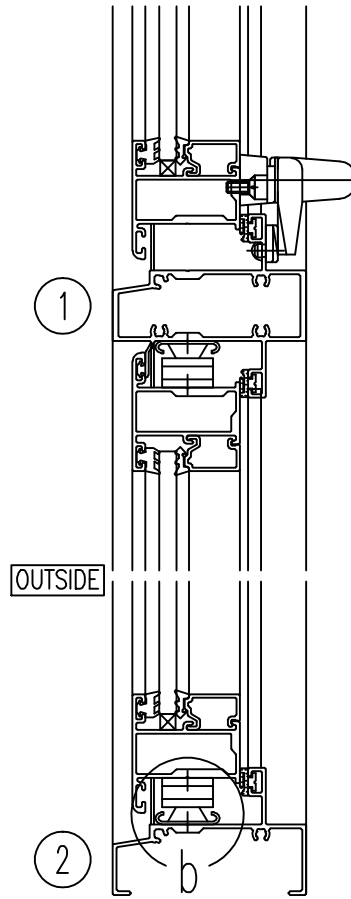
SAFETY REQUIREMENTS FOR INSTALLATION OF NEW ALUMINIUM CASEMENT WINDOWS



(STAINLESS STEEL GRADE 304 OR EQUIVALENT
AND MIN THICKNESS 2.5mm)



Detail 'a' Friction Stay



Detail 'b' Section

NOTE: • SELF TAPPING SCREW SHALL BE OF STAINLESS STEEL GRADE 304 OR EQUIVALENT OF MINIMUM SIZE NO.8 (4mm). IF ALUMINIUM SECTION IS NOT LESS THAN 3mm THICK, EPOXY COATED SCREW CAN BE USED.

• 4 SCREWS ON EACH SIDE OF FRICTION STAY.